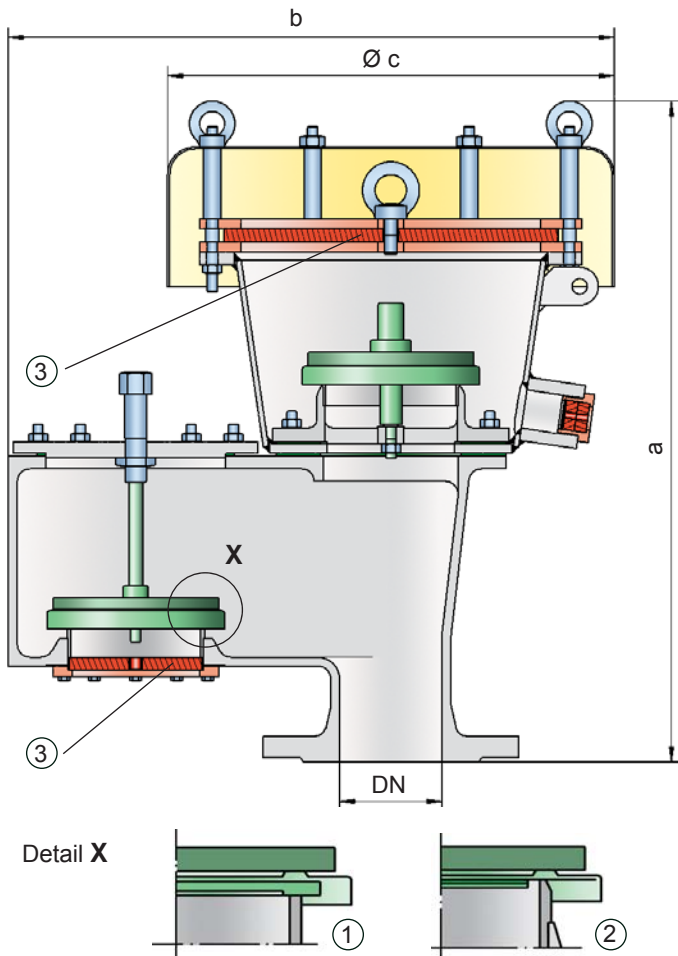




Pressure/Vacuum Relief Valve atmospheric deflagration-proof

PROTEGO® VD/SV-AD and VD/SV-ADL



velopment, this typical opening characteristic of a safety relief valve is now also available for the low pressure range.

The tank pressure is maintained up to the set pressure with a tightness that is far superior to the conventional standard due to our state of the art manufacturing technology. This feature is ensured by the valve seats made of high quality stainless steel and with individually lapped valve pallets (1) or with an air cushion seal (2) in conjunction with high quality FEP diaphragm. The valve pallets are also available with a PTFE seal to prevent the valve pallets from sticking when sticky products are used and to enable the use of corrosive fluids. After the in- and outbreathing is completed the valve reseats and provides a tight seal.

If the set pressure is exceeded, explosive gas/product-vapour air mixtures are released to the atmosphere. If this mixture ignites, the integrated PROTEGO® flame arrester unit (3) prevents flame transmission resulting from atmospheric deflagration into the tank. The vacuum side is also protected against atmospheric deflagration.

The valve can be used up to an operating temperature of +60°C / 140°F and meets the requirements of European tank design standard EN 14015 – Appendix L and ISO 28300 (API 2000).

Type-approved in accordance with the current ATEX Directive and EN ISO 16852 as well as other international standards.

Special Features and Advantages

- requires only 10% overpressure to full lift
- through 10% technology set pressures and vacuum closer to MAWP and MAWV can be reached which results in product loss reduction compared to conventional 40% and 100% overpressure technology vents (compare API 2000)
- more design flexibility through higher reseating pressures; vents reseal when conventional vent is still discharging costly product or nitrogen
- high performance seal reducing product loss below EPA's 500ppm rule preventing environmental pollution
- the valve disc is guided within the housing to protect against harsh weather conditions
- can be used as protective system according ATEX in areas subject to explosion hazards
- FLAMEFILTER® provides protection against atmospheric deflagration
- FLAMEFILTER® integrated into the valve saves space, weight and reduces cost
- FLAMEFILTER® protected from clogging through product vapour
- FLAMEFILTER® has a low pressure drop
- flame transmission proof condensate drain
- maintenance friendly design
- modular design enables individual FLAMEFILTER® and the valve pallet to be replaced
- superior technology for API tanks with low MAWP and MAWV

Settings:

pressure: +3.5 mbar up to +35 mbar
+1.4 inch W.C. up to +14 inch W.C.

vacuum: -2.0 mbar up to -35 mbar
-0.8 inch W.C. up to -14 inch W.C.

Higher and lower settings upon request

Function and Description

The deflagration proof VD/SV-AD(L) type PROTEGO® valve is a highly developed combined pressure/vacuum relief valve for high flow capacities with an integrated flame arrester unit. It is primarily used as a safety device for flame-transmission-proof in- and outbreathing in tanks, containers and process engineering apparatus. The valve offers reliable protection against excess pressure and vacuum, preventing outbreathing of product vapour and inbreathing of air almost up to the set pressure and also protects against atmospheric deflagration. The PROTEGO® flame arrester unit is designed to achieve minimum pressure drop with maximum safety. The deflagration-proof PROTEGO® VD/SV-AD(L) valve is available for substances from explosion groups IIA to IIB3 (NEC group D to C MESH ≥ 0.65 mm).

When the set pressure is reached, the valve starts to open and reaches full lift within 10% overpressure. This unique 10% technology enables a set pressure that is only 10% below the maximum allowable working pressure (MAWP) or maximum allowable working vacuum (MAWV) of the tank. After years of de-



Vents - 10% Technology
(Flyer pdf)



Leak Rate/10% Technology
(Flyer pdf)

Design Types and Specifications

Any combination of vacuum and pressure levels can be set for the valve

The valve discs are weight-loaded.

There are two different designs:

Pressure/vacuum relief valve with housing, standard design

VD/SV-AD

Pressure/vacuum relief valve with expanded housing

VD/SV-ADL

Additional special devices available upon request

Table 1: Dimensions

Dimensions in mm / inches

To select the nominal size (DN), please use the flow capacity charts on the following pages

DN	VD/SV-AD		VD/SV-ADL	
	80 / 3"	100 / 4"	100 / 4"	150 / 6"
a	540 / 21.26	565 / 22.24	650 / 25.59	760 / 29.92
b	475 / 18.70	575 / 22.64	700 / 27.56	855 / 33.66
c	350 / 13.78	350 / 13.78	600 / 23.62	600 / 23.62

Table 2: Selection of explosion group

MESG	Expl. Gr. (IEC/CEN)	Gas Group (NEC)	Special approvals upon request
≥ 0,65 mm	IIB3	C	

Table 3: Material selection for housing

Design	A	B	Option: Housing with ECTFE-lining Special materials upon request
Housing	Steel	Stainless Steel	
Valve seats	Stainless Steel	Stainless Steel	
Gasket	PTFE	PTFE	
Weather hood	Stainless Steel	Stainless Steel	
Flame arrester unit	A, B	B	

Table 4: Material combinations of flame arrester units

Design	A	B	Special materials upon request
FLAMEFILTER® cage	Steel	Stainless Steel	
FLAMEFILTER®	Stainless Steel	Stainless Steel	

Table 5: Material selection for pressure valve pallet

Design	A	B	C	D	Special material as well as higher set pressure upon request
Pressure range (mbar) (inch W.C.)	+3.5 up to +5.0 +1.4 up to +2.0	>+5.0 up to +14 >+2.0 up to +5.6	>+14 up to +35 >+5.6 up to +14	>+14 up to +35 >+5.6 up to +14	
Valve pallet	Aluminium	Stainless Steel	Stainless Steel	Stainless Steel	
Sealing	FEP	FEP	Metal to Metal	PTFE	

Table 6: Material selection for vacuum valve pallet

Design	A	B	C	D	Special material as well as higher set vacuum upon request
Vacuum range (mbar) (inch W.C.)	-2.0 up to -3.5 -0.8 up to -1.4	<-3.5 up to -14 <-1.4 up to -5.6	<-14 up to -35 <-5.6 up to -14	<-14 up to -35 <-5.6 up to -14	
Valve pallet	Aluminium	Stainless Steel	Stainless Steel	Stainless Steel	
Sealing	FEP	FEP	Metal to Metal	PTFE	

Table 7: Flange connection type

EN 1092-1; Form B1	other types upon request
ASME B16.5; 150 lbs RFSF	



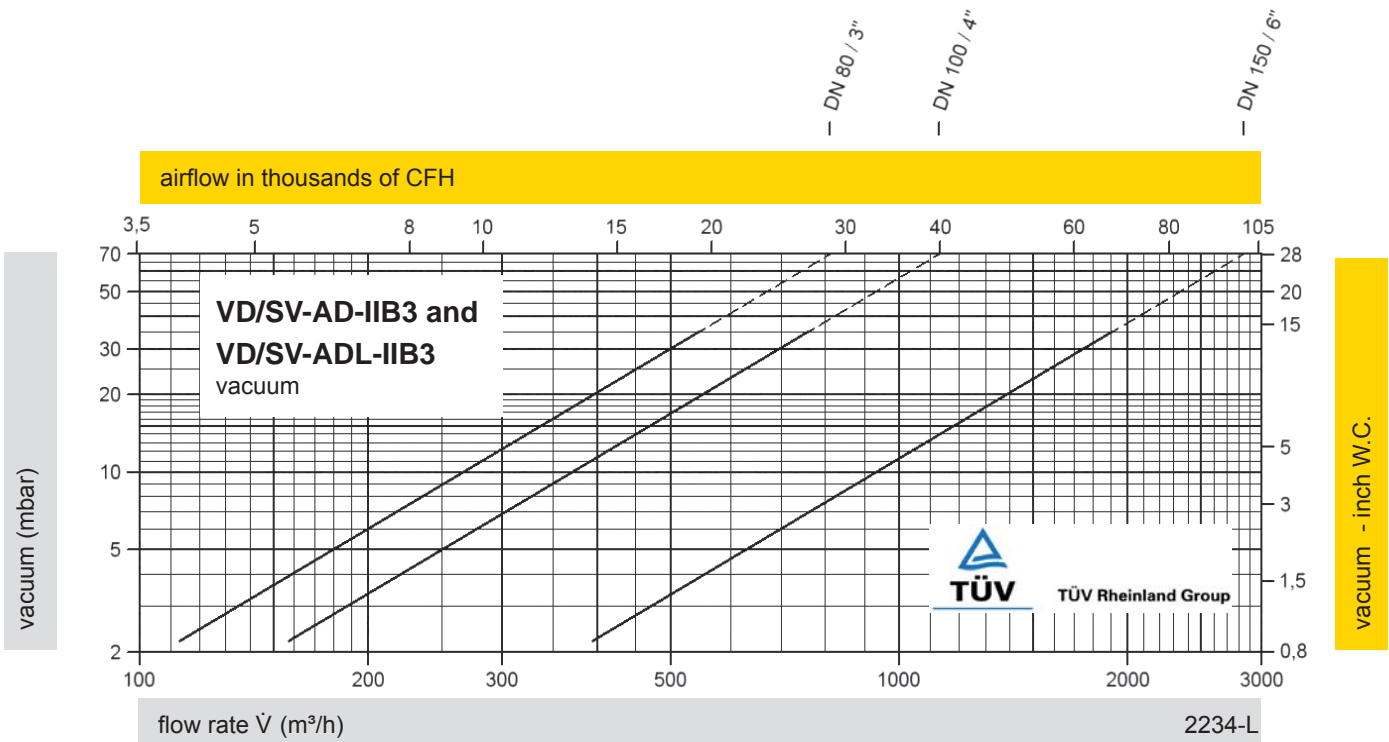
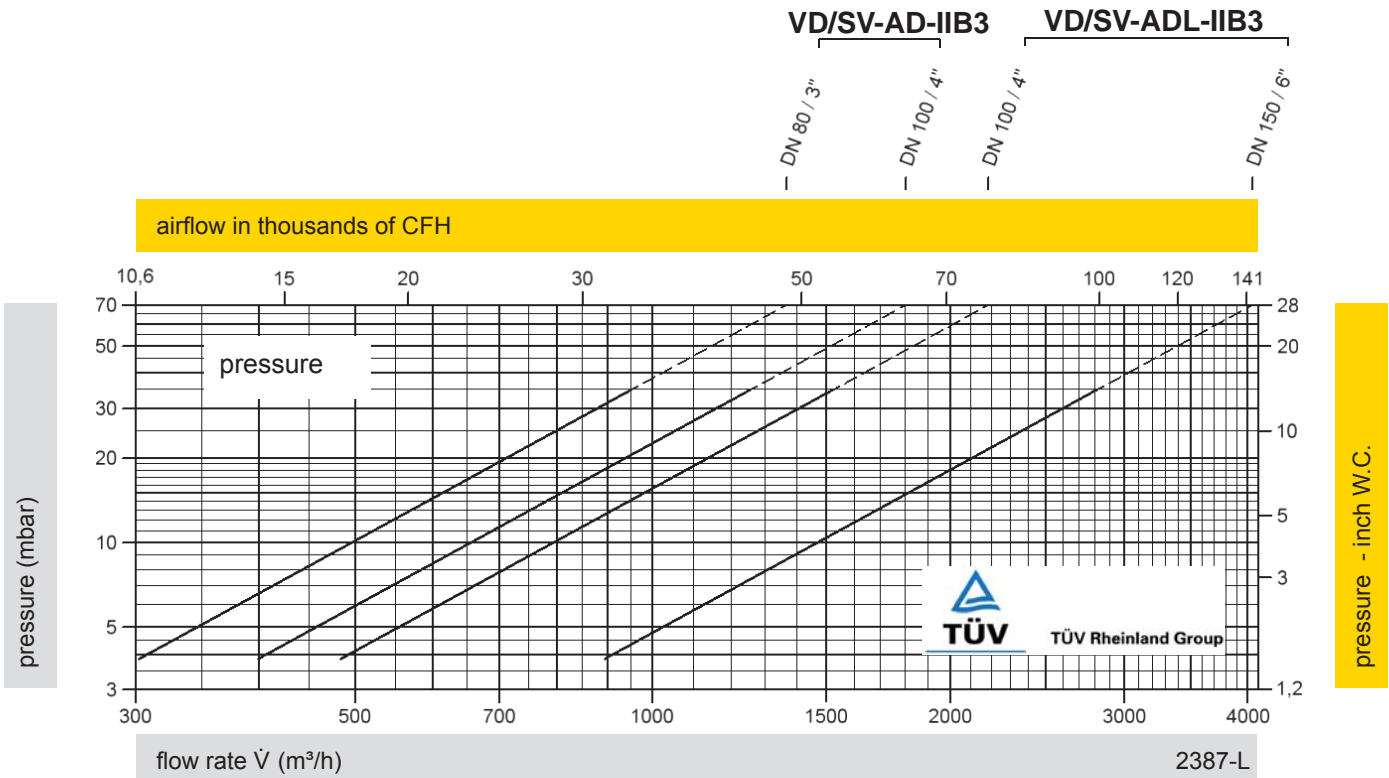
for safety and environment



Pressure/Vacuum Relief Valve

Flow Capacity Charts

PROTEGO® VD/SV-AD and VD/SV-ADL



The flow capacity charts have been determined with a calibrated and TÜV certified flow capacity test rig. Volume flow \dot{V} in (m³/h) and CFH refer to the standard reference conditions of air ISO 6358 (20°C, 1bar). Conversion to other densities and temperatures refer to Vol. 1: "Technical Fundamentals".