

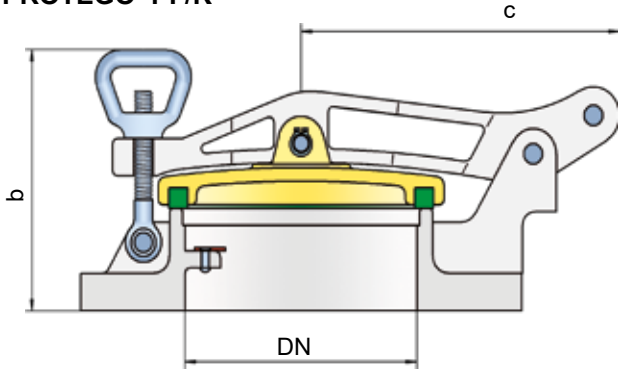


Gauge Hatch with Flange

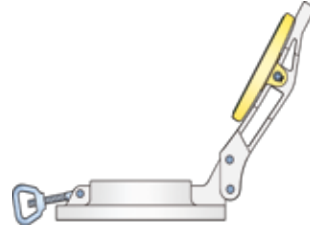


PROTEGO® PF/K, PF/TK and PS/KF

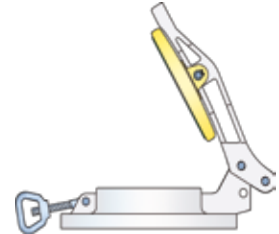
PROTEGO® PF/K



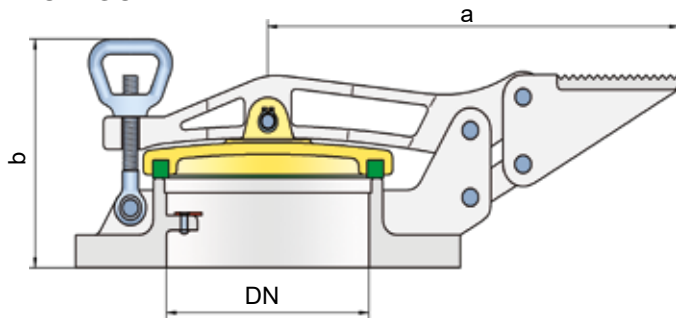
Design "I"
remaining open



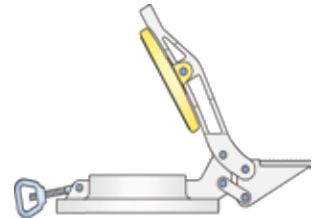
Design "II"
automatic cover closing



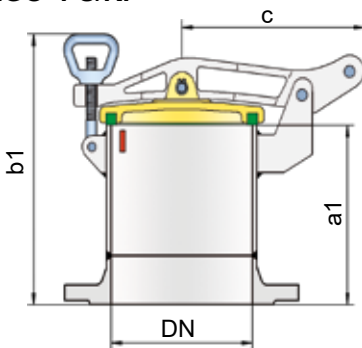
PROTEGO® PF/TK



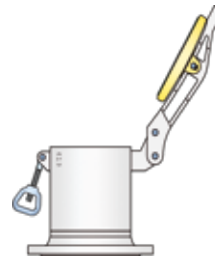
Pedal-operated version
automatic cover closing



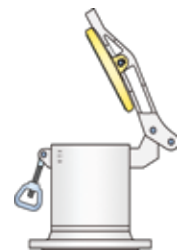
PROTEGO® PS/KF



Design "I"
remaining open



Design "II"
automatic cover closing



Function and Description

PROTEGO® gauge hatches types PF/K, PF/TK, and PS/KF are used as lockable gauge nozzles which are only opened for gauging or sampling. Otherwise, they are tightly closed.

The gauge hatches PROTEGO® PF/K, PF/TK, and PS/KF mainly consist of housing, cover, and bracket. The housing is equipped with stainless steel gauge marks as standard.

In the pedal-operated version PROTEGO® PF/TK, the gauging nozzle pedal is connected to both the housing and the bracket.

Design Types and Specifications

Depending on the intended use, the following designs are available:

- Gauge hatch with flange **PF/K** design I and II
 „I“ : remaining open
 „II“ : automatic cover closing
- Gauge hatch with flange and pedal **PF/TK** automatic cover closing
- Gauge hatch with flange nozzle **PS/KF** design I and II
 „I“ : remaining open
 „II“ : automatic cover closing

PROTEGO® PS/K and PS/TK are available for welding onto the tank. A separate data sheet is available.

Table 1: Dimensions		Dimensions in mm / inches		
DN	100 / 4"	150 / 6"	200 / 8"	
a	260 / 10.24	305 / 12.01	335 / 13.19	
b	150 / 5.91	155 / 6.10	175 / 6.89	
c	160 / 6.30	205 / 8.07	235 / 9.25	
a1	225 / 8.86	265 / 10.43	300 / 11.81	
b1	315 / 12.40	360 / 14.17	405 / 15.94	

The nominal size depends on the dimensions of the gauging and sampling device.

Table 2: Material selection				
Design	A	B	C	D
Housing	Ductile Iron*	Stainless Steel	Aluminum	Steel
Cover	Ductile Iron*	Stainless Steel	Aluminum Stainless Steel**	Steel

The combination of steel and aluminum in explosive environments is prohibited due to risk of ignition.

* only for PF/K and PF/TK

** only for PF/TK-100

Flange Connection Type

The flange connection is in accordance with EN 1092-1, Form A. Optionally, the connecting flange can be made in accordance with any international standard.

Necessary Data for Specification

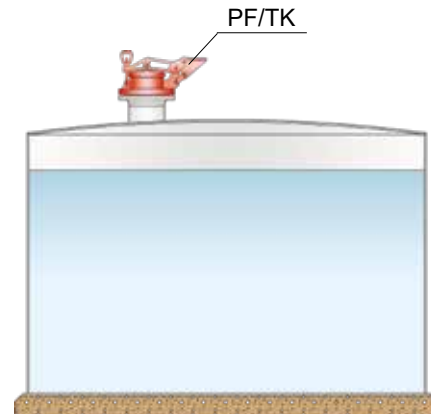
Stored product

Tank material

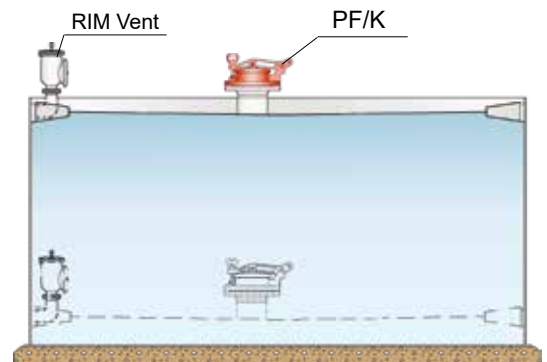
Tank nozzle DN (mm or inches)

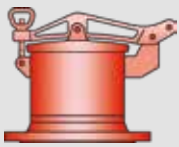
Application Examples

Gauge hatches can, for example, be used in combination with the manual gauge devices PROTEGO® H/P or with the gauging and sampling device PROTEGO® VP/HK.



Gauge hatches can be installed on tanks with floating roofs.



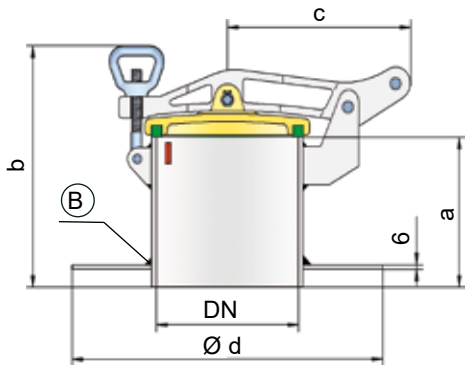


Gauge Hatch with Welded nozzle

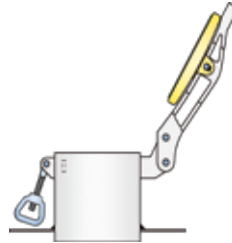
PROTEGO® PS/K, PS/TK



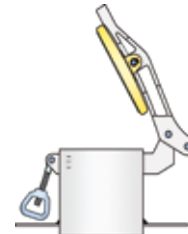
PROTEGO® PS/K



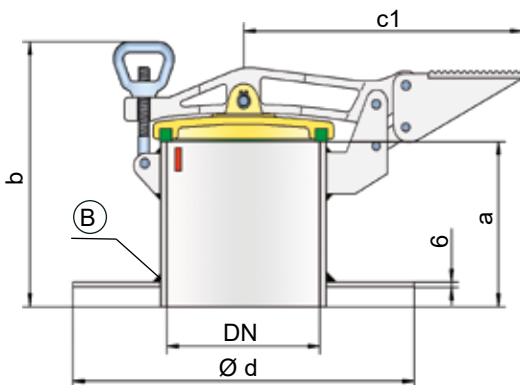
Design "I"
remaining open



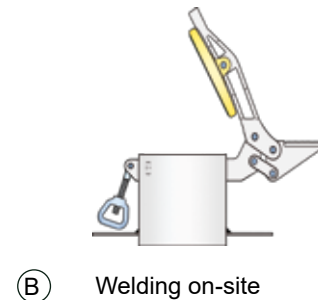
Design "II"
automatic cover closing



PROTEGO® PS/TK



Pedal-operated version
automatic cover closing



Function and Description

PROTEGO® gauge hatches PS/K and PS/TK are used as lockable gauge nozzles which are only opened for gauging or sampling.

The gauge hatches PROTEGO® PS/K and PS/TK mainly consist of housing, cover, and bracket. As a standard, the housing has stainless steel gauge marks.

In the pedal-operated version PROTEGO® PS/TK, the gauging nozzle pedal is connected to both the housing and the bracket

Design Types and Specifications

Depending on the intended use, the following designs are available:

Gauge hatch with welding nozzle

PS/K design I and II
„I“ : remaining open
„II“ : automatic cover closing

Gauge hatch with welding nozzle and pedal

PS/TK automatic cover closing

Gauge hatches with flange are available as type PROTEGO® PF/K, PF/TK and PS/KF. A separate data sheet is available.